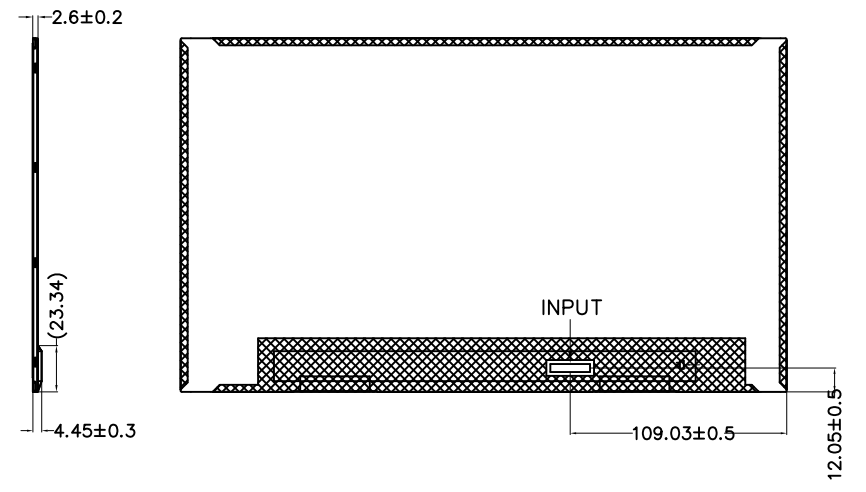
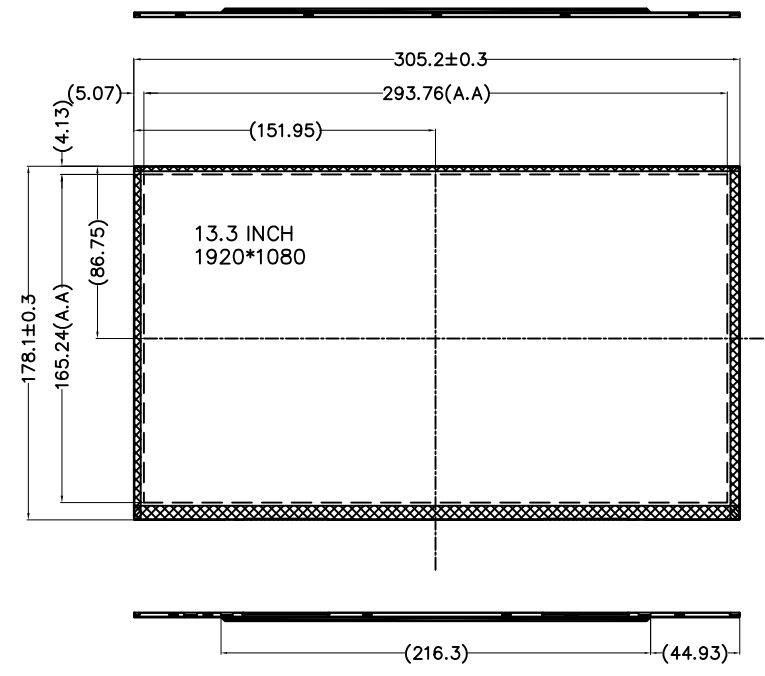


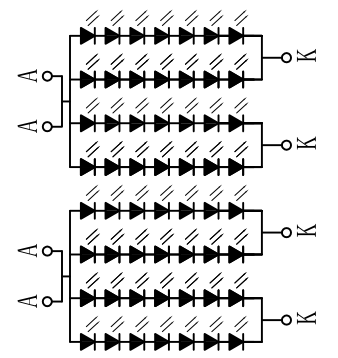
REV	DC/EC NUMBER	DESCRIPTION	DATE

Interface for TFT

1	NC
2	H_GND
3	Lane1_N
4	Lane1_P
5	H_GND
6	Lane0_N
7	Lane0_P
8	H_GND
9	AUX_CH_P
10	AUX_CH_N
11	H_GND
12	LCD_VCC
13	LCD_VCC
14	NC
15	LCD_GND
16	LCD_GND
17	HPD
18	BL_GND
19	BL_GND
20	BL_GND
21	BL_GND
22	BL_ENABLE
23	BL_PWM_DIM
24	NC
25	NC
26	BL_PWR
27	BL_PWR
28	BL_PWR
29	BL_PWR
30	NC



Backlight LED Circuit



- TFT NOTE:
- LCD TYPE : 13.3" ,TFT ,IPS
 - VIEWING DIRECTION:
WIDE VIEWING 85/85/85/85
 - BRIGHTNESS: 220cd/m2 typ. at ILED=160mA
at VLED=19.6~23.1V
 - OPERATION TEMP.: 0°C~50°C
 - STORAGE TEMP.: -20°C~60°C
 - NON-MARK TOLERANCE is ± 0.3 mm
 - ROHS CPMPPLAIN

CONTROL DIMENTION:				
REFERENCE DIMENTION:	()			
APPROVED:	JOBS	MODEL NAME	3rd ANGLE	
CHECKED:	ERIC	PART NAME	UNIT	mm
DESIGNED:	ISSCA	DRAWING NUMBER	SCALE	1:1
		METERIAL NUMBER	PAGE	1/1